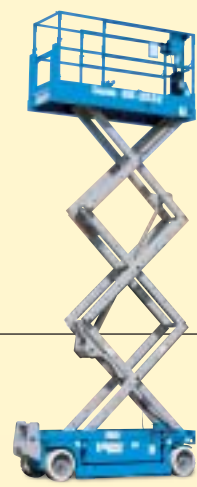




Electric
Self-Propelled
Scissor Lift

GS-2032™

○ A stable, reliable and easy to operate lift with a built-in platform extension.



GS-2032

- The solid steel deck platform has a slip-resistant surface.
- Heavy duty square steel guardrails maximize durability.
- Lubrication-free, service-free pivot points.
- Built-in lanyard attachment points.
- Weather resistant, impact resistant, injection-molded Joystick Carrier / Controller box operates from the platform or the ground.
- Low noise level allows operation in quiet work environments.
- High angle steering provides excellent maneuverability.

- Swing-out battery box and power module allow easy access to componentry.
- Variable speed motor extends battery and motor life by using only the energy needed to do the required work.
- On-board troubleshooting diagnostics notify the operators of possible fault conditions.

Standard Features

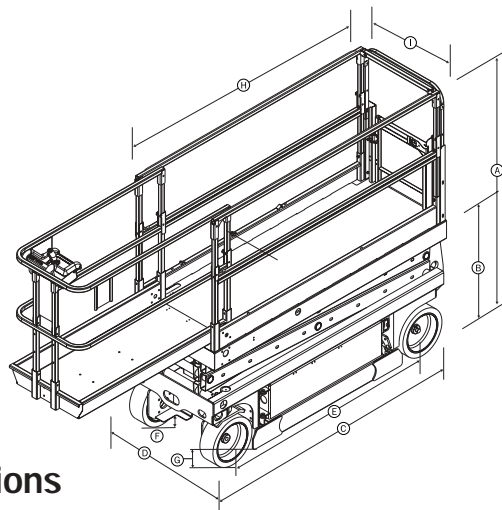
- GS-2032 has 26 ft (7.9 m) working height
- 39 in (1 m) roll-out platform extension
- Compact 32 in (81 cm) width
- 800 lb (363 kg) lift capacity
- Proportional controls for lift and drive functions
- Automatic 25 amp battery charger
- Manual platform lowering valve
- Emergency stop switches at both platform and ground controls
- Drive speed interlock limits speed while elevated
- Multiple disc brakes provide smooth deceleration
- Manual brake release
- Pothole guards
- Non-marking tires
- AC wiring to platform
- Tilt sensor with an audible alarm
- Beeper horn
- Hour meter

Options and Accessories

- Motion alarm
- Power inverter
- Platform swing gate
- Air line to platform
- EE rating
- Dual flashing beacon
- Automotive horn
- Folding guardrails with platform swing gate
- Maintenance-free batteries
- Pipe cradle

Standards Compliance

- ANSI/SIA A92.6
- AS 1418.10
- CE compliance option
- CSA CAN3-B354.2-M82



Specifications

Model	GS-2032	US	Metric
Working height*		26 ft	8.1 m
Platform height		20 ft	6.1 m
Sliding rail design (standard)			
Ⓐ Height stowed, ANSI, CSA	78 in		2 m
Height stowed, CE	83 in		2.11 m
Height stowed, rails lowered	76 in		1.93 m
Fold down rail design (optional)			
Height stowed	83 in		2.11 m
Height stowed, rails folded	68 in		1.73 m
Ⓑ Platform height -stowed	38 1/2 in		98 cm
Ⓒ Length - stowed	96 in		2.44 m
Ⓓ Width	32 in		81 cm
Ⓔ Wheelbase	73 in		1.85 m
Ⓕ Ground clearance -at machine center	4 in		10 cm
Ⓖ Ground clearance -pothole guards deployed	7/8 in		2 cm
Ⓗ Platform length	89 in		2.26 m
Ⓘ Platform width	31 in		79 cm
Platform length extended	128 in		3.25 m
Guardrail height			
ANSI, CSA	39 in		1 m
CE	43 in		1.1 m
Toeboard height	6 in		15 cm
Lift capacity	800 lb		363 kg
Extension deck lift capacity	250 lb		113 kg
Turning radius outside	92 in		2.34 m
Turning radius inside	zero		
Power source	24V (4 6V 245AH batteries)		
Drive speed - stowed	2.2 mph		3.5 km/h
Drive speed - raised	0.5 mph		0.8 km/h
Raise/lower speed	30/26 sec		
Controls	24V DC proportional		
Tires (solid rubber)	15 x 5 x 11 in		38 x 13 x 28 cm
Gradeability	30%		30%
Drive	dual front wheel		
Multiple disc brakes	dual rear wheel		
Weight	3,503 lb		1,589 kg

*The metric equivalent of working height adds 2 m to platform height. U.S. adds 6 ft to platform height.

Distributed By:

Genie Industries